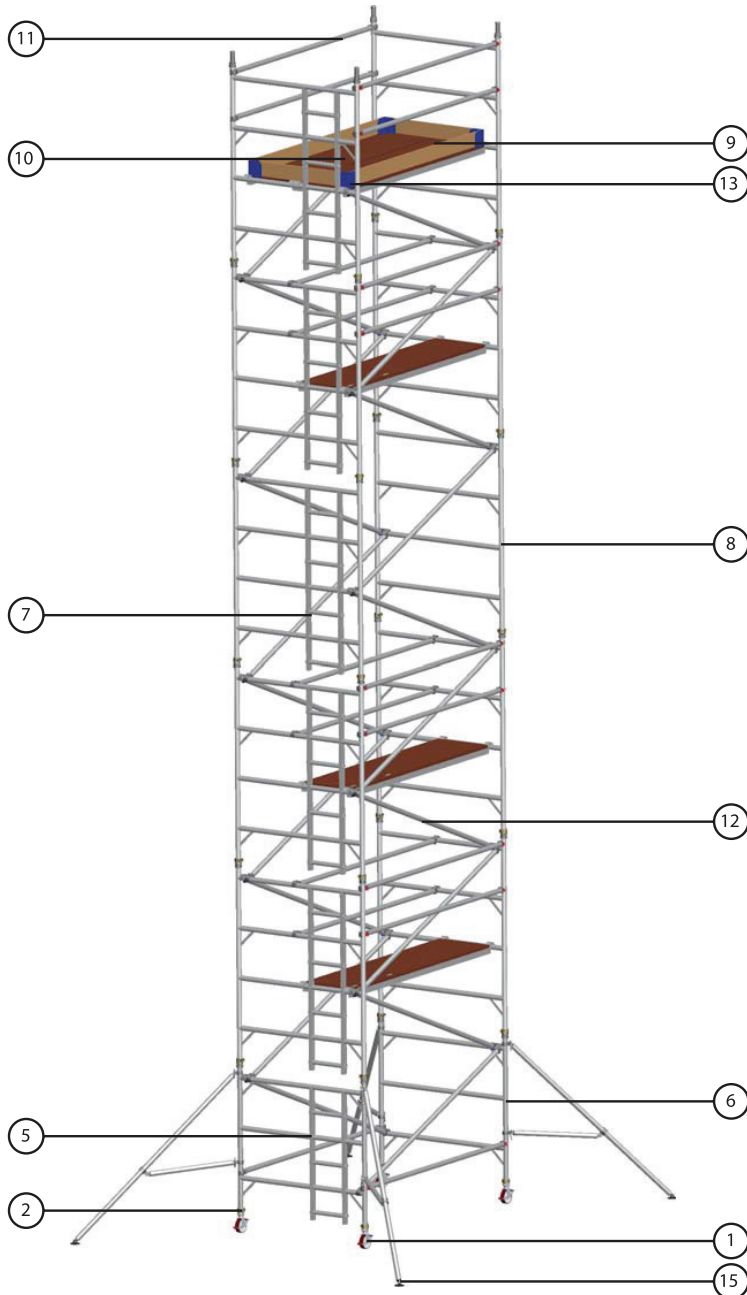


Double Width Tower
1.8m Long x 1.45m wide

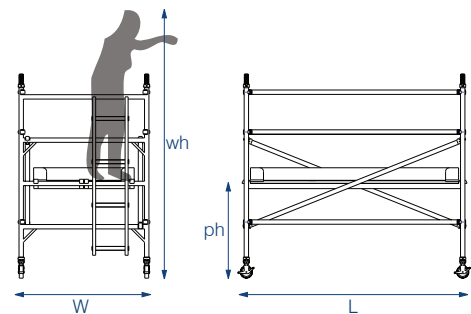
Working Height
12.7m

Platform Height
10.7m



Tower Components

Item	Description	Quantity
1	150mm Locking Castor	4
2	Adjustable Leg 500mm	4
3	2 rung Ladder Frame	0
4	2 rung Span Frame	0
5	3 rung Ladder Frame	1
6	3 rung Span Frame	1
7	4 rung Ladder Frame	5
8	4 rung Span Frame	5
9	1.8m Trapdoor Platforms	4
10	1.8m Standard Platforms	1
11	1.8 m Horizontal Brace	14
12	2.1 m Diagonal Brace	20
13	Complete Toe Board Set	1
14	Standard Stabilisers	0
15	Jumbo Stabilisers	4
16	Instruction Manual & BSEN1004 certificate of conformity	1



Technical Information

Base Dimensions:	(L)1.8m X (W)1.45m
Maximum Platform Height (ph):	10.7m
Maximum Working Height (wh):	12.7m
Maximum Working Load Per Platform:	275kg
Maximum Working Load Per Tower: (including tower weight)	950kg
Weight:	344kg