

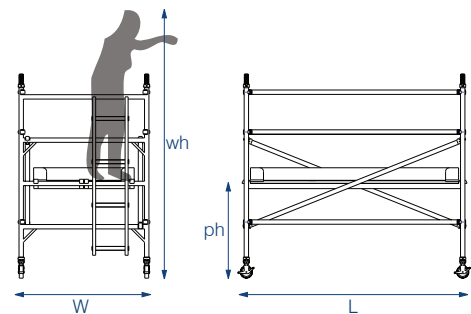
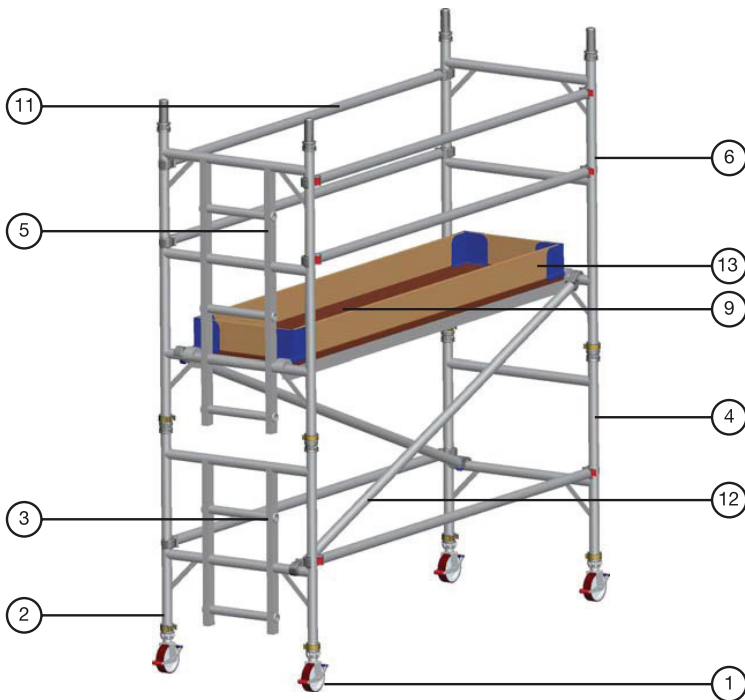
Single Width Tower
3.2m Long x 0.85m wide

Working Height
3.7m

Platform Height
1.7m

Tower Components

| Item | Description | Quantity |
|------|---|----------|
| 1 | 150mm Locking Castor | 4 |
| 2 | Adjustable Leg 500mm | 4 |
| 3 | 2 rung Ladder Frame | 1 |
| 4 | 2 rung Span Frame | 1 |
| 5 | 3 rung Ladder Frame | 1 |
| 6 | 3 rung Span Frame | 1 |
| 7 | 4 rung Ladder Frame | 0 |
| 8 | 4 rung Span Frame | 0 |
| 9 | 3.2m Trapdoor Platform | 1 |
| 10 | Standard Platform | 0 |
| 11 | 3.2m Horizontal Brace | 6 |
| 12 | 3.5m Diagonal Brace | 3 |
| 13 | Complete Toe Board Set | 1 |
| 14 | Standard Stabilisers | 0 |
| 15 | Jumbo Stabilisers | 0 |
| 16 | Instruction Manual & BSEN1004 certificate of conformity | 1 |



Technical Information

| | |
|---|--------------------|
| Base Dimensions: | (L)3.2m X (W)0.85m |
| Maximum Platform Height (ph): | 1.7m |
| Maximum Working Height (wh): | 3.7m |
| Maximum Working Load Per Platform: | 275kg |
| Maximum Working Load Per Tower: (including tower weight) | 950kg |
| Weight: | 116kg |