

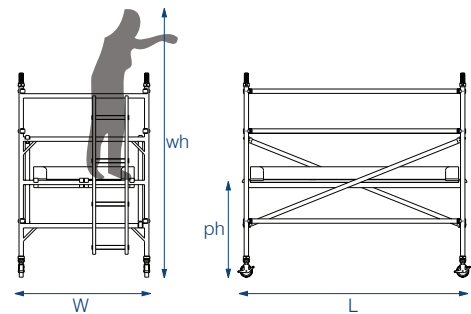
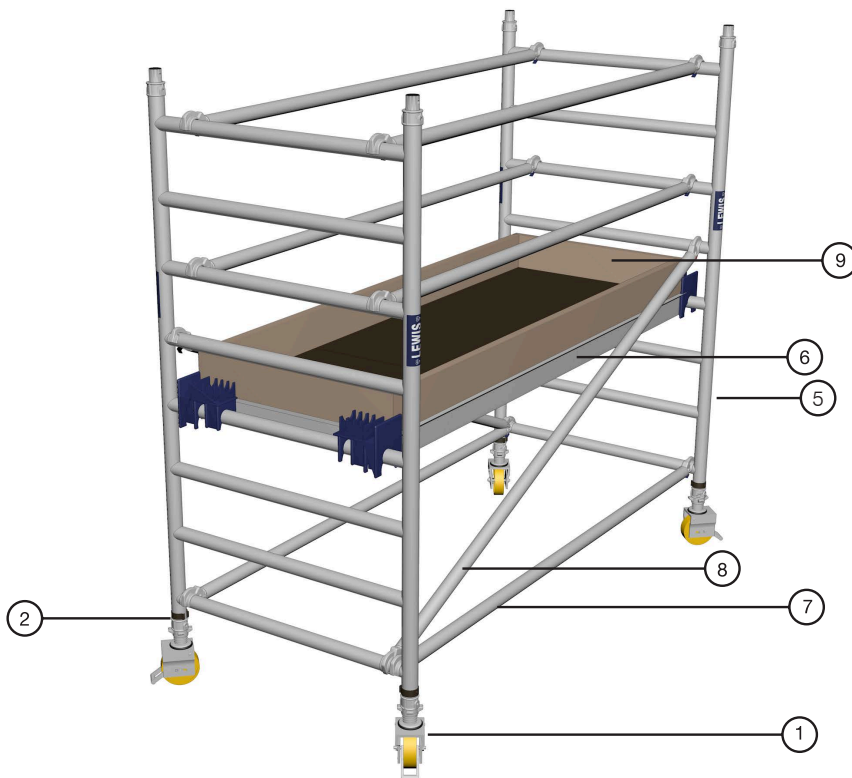
Single Width Tower  
1.8m Long x 0.85m wide

Working Height  
3.2m

Platform Height  
1.2m

### Tower Components

Item	Description	Quantity
1	150mm Locking Castor	4
2	Adjustable Leg 500mm	4
3	4 rung 1m Frame	0
4	6 rung 1.5m Frame	0
5	8 rung 2m Frame	2
6	1.8m Trapdoor Platform	1
7	1.8m Horizontal Brace	6
8	2.1m Diagonal Brace	2
9	Complete Toe Board Set	1
10	Standard Stabilisers	0
11	Jumbo Stabilisers	0
12	Instruction Manual & BSEN1004 certificate of conformity	1



### Technical Information

Base Dimensions:	(L)1.8m X (W)0.85m
Maximum Platform Height (ph):	1.2m
Maximum Working Height (wh):	3.2m
Maximum Working Load Per Platform:	275kg
Maximum Working Load Per Tower: (including tower weight)	950kg
Weight:	74kg